

Endur i7

Excellent plastic pallet for high rotations

Made of impact-resistant PP – no metal reinforcements – this pallet is ideal for semi-hygienic applications and for high-rotation usage such as open or closed pools. The pallet is made using gas-assist technology, meaning that internal hollow channels make the pallet more rigid. This benefit is especially useful when the pallet is used in racks. The excellent design guarantees the pallet has a long life, and provides inherent impact resistance.

Anti-slip options

- Safety rim (-mm) as an option
- Strips topside deck
- Strips underside blocks
- Grommets topside deck (max. 12 pieces)
- Grommets underside for forks (max. 12 pieces)



Rounded borders reduce the risk of fork access damage



Available with various anti-slip options

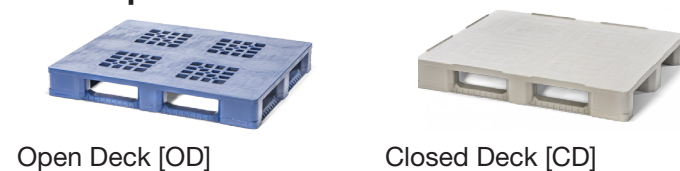


Bottom support



6 Runners [6R]

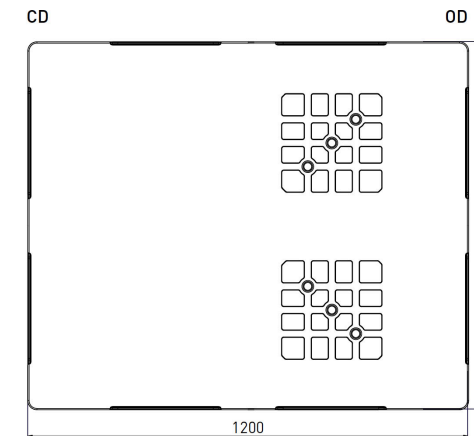
Deck options



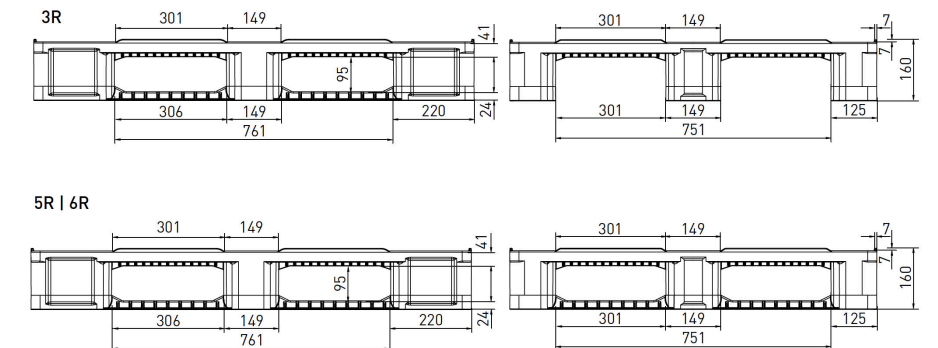
Open Deck [OD]

Closed Deck [CD]

Endur i7



sizes in mm



Technical data

	Bottom support	Top deck	Dimensions [mm]	Load capacity			Weight [kg] PP
				Static	Dynamic	Racking	
Endur i7 (OD-3R)	3 runners	open deck	1200 x 1000 x 160	5000	2500	1250	20,0
Endur i7 (CD-3R)	3 runners	closed deck	1200 x 1000 x 160	5000	2500	1250	21,0
Endur i7 (OD-5R)	5 runners	open deck	1200 x 1000 x 160	5000	2500	1250	21,0
Endur i7 (CD-5R)	5 runners	closed deck	1200 x 1000 x 160	5000	2500	1250	22,0
Endur i7 (OD-6R)	6 runners	open deck	1200 x 1000 x 160	5000	2500	1250	22,0
Endur i7 (CD-6R)	6 runners	closed deck	1200 x 1000 x 160	5000	2500	1250	23,0

Options

Color other color on request

Anti-slip Safety rim, strips on deck, strips under blocks, grommets on deck, grommets under deck

ESD prevention Anti-static, conductive

